

ZGSM-LD65H

Introducing a New Premium Experience

100W HID Replacement



Optical control function is supported by optional
Dimming functions are supported by optional
+ Three in One (1-10V DC or PWM Signal or Resistance)
+ Timer - Contact ZGSM for Details



Specifications

Electrical Specifications:

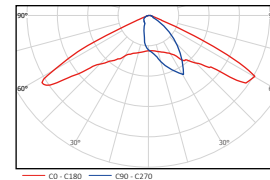
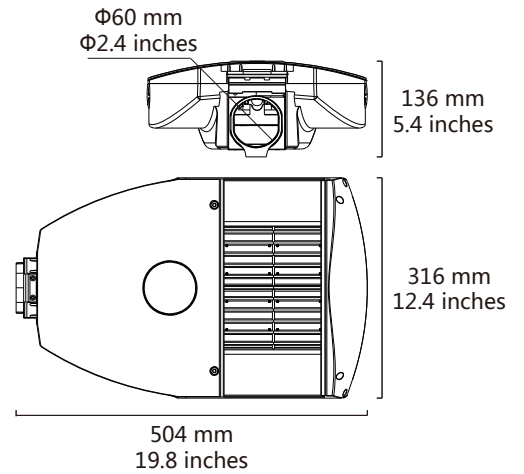
Model No.	ZGSM-LD65H
Nominal Wattage	65W
Nominal Voltage	AC 100-240V /277V, 50/60Hz DC 24V
Maximum Current	AC 0.67A -120V, 0.33A -240V, 0.29A -277V DC 3.01A -24V
Optimal Operating Temperature	-40 °C to +50 °C
Power Factor (PF)	> 0.9
Driver Efficiency	> 90%

Photometric Specifications:

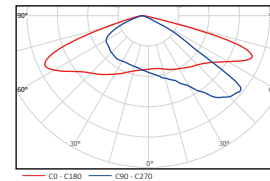
Lumen Output	6175 lm (+Lumen tolerance +/- 5%)
Photometric Type	1S, 2M, 3M, 5S
CRI	Ra >= 70 (+/- 5)
CCT	<div style="display: flex; gap: 10px;"> <div style="border: 1px solid black; border-radius: 50%; padding: 2px;">3800-4100K</div> <div style="border: 1px solid black; border-radius: 50%; padding: 2px;">5000-5650K</div> <div style="border: 1px solid black; border-radius: 50%; padding: 2px;">5650-6300K</div> </div>

Mechanical Specifications:

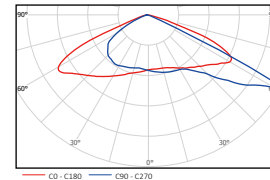
Ratings	IP66, IK08
Lumen Maintenance	> 67000 hours -L70, @25 °C (77 °F)
Heat Radiator	Anodized Aluminum
Lens	PC
Fixture Dimension	504 x316 x136 mm 19.8 x12.4 x5.4 inches
Fixture Weight	6.1 kg /13.4 lbs



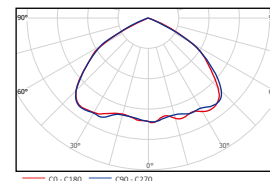
1S
Order Ref.
ZGSM-LD65H1S



2M
Order Ref.
ZGSM-LD65H2M



3M
Order Ref.
ZGSM-LD65H3M



5S
Order Ref.
ZGSM-LD65H5S

Packing Type

1unit(s) /ctn.

Packing Dimension

555 x370 x200 mm
21.9 x14.6 x7.9 inches

Packing Weight

7.3 kg /16.1 lbs