

ZGSM-LD100H

Introducing a New Premium Experience

150W HID Replacement



Optical control function is supported by optional
Dimming functions are supported by optional
+ Three in One (1-10V DC or PWM Signal or Resistance)
+ Timer - Contact ZGSM for Details



Specifications

Electrical Specifications:

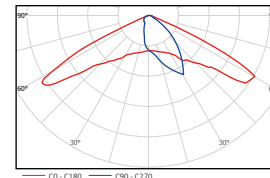
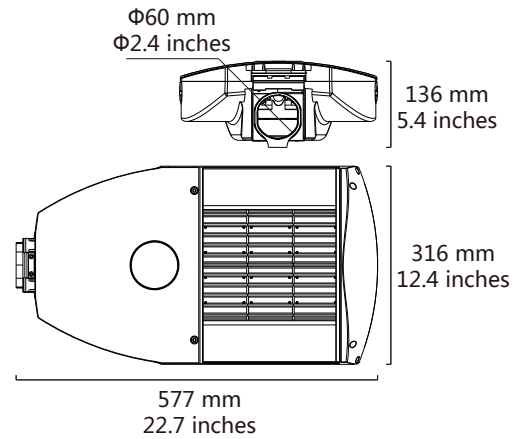
Model No.	ZGSM-LD100H
Nominal Wattage	100W
Nominal Voltage	AC 100-240V /277V, 50/60Hz DC 24V
Maximum Current	AC 1.03A -120V, 0.51A -240V, 0.45A -277V DC 4.63 -24V
Optimal Operating Temperature	-40 °C to +50 °C
Power Factor (PF)	> 0.9
Driver Efficiency	> 90%

Photometric Specifications:

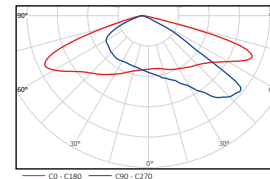
Lumen Output	9500 lm (+Lumen tolerance +/- 5%)
Photometric Type	1S, 2M, 3M, 5S
CRI	Ra >= 70 (+/- 5)
CCT	<div style="display: flex; gap: 10px;"> <div style="border: 1px solid black; border-radius: 50%; padding: 2px;">3800-4100K</div> <div style="border: 1px solid black; border-radius: 50%; padding: 2px;">5000-5650K</div> <div style="border: 1px solid black; border-radius: 50%; padding: 2px;">5650-6300K</div> </div>

Mechanical Specifications:

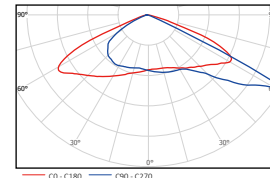
Ratings	IP66, IK08
Lumen Maintenance	> 67000 hours -L70, @25 °C (77 °F)
Heat Radiator	Anodized Aluminum
Lens	PC
Fixture Dimension	577 x316 x136 mm 22.7 x12.4 x5.4 inches
Fixture Weight	7.3 kg /16.1 lbs



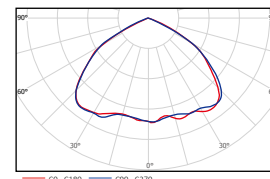
1S
Order Ref.
ZGSM-LD100H1S



2M
Order Ref.
ZGSM-LD100H2M



3M
Order Ref.
ZGSM-LD100H3M



5S
Order Ref.
ZGSM-LD100H5S

Packing Type

1unit(s) /ctn.

Packing Dimension

630 x370 x200 mm
24.8 x14.6 x7.9 inches

Packing Weight

8.6 kg /19.0 lbs